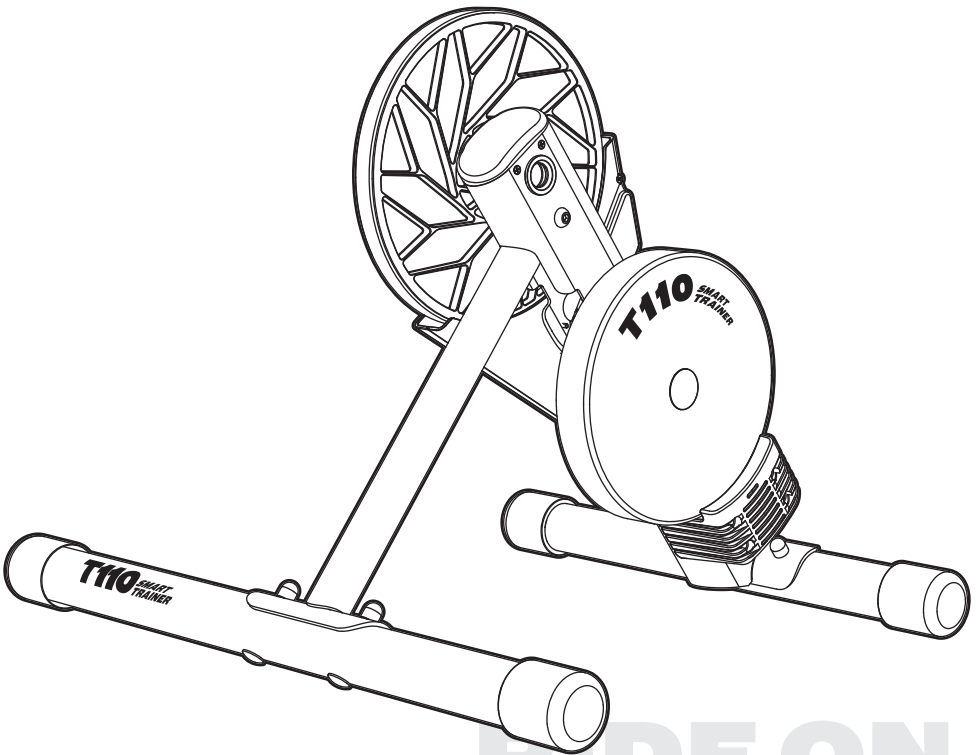


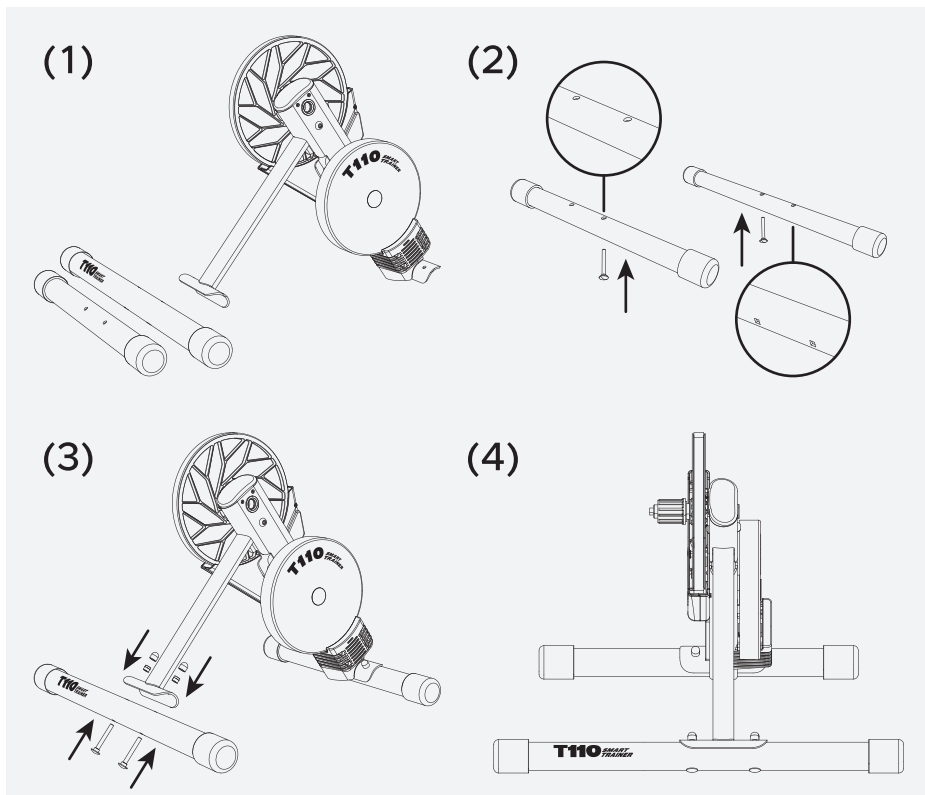
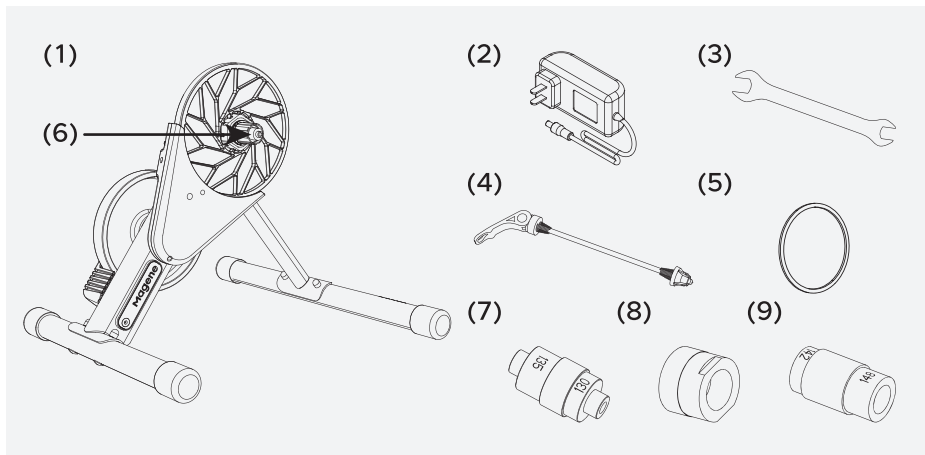
T110

Smart Trainer

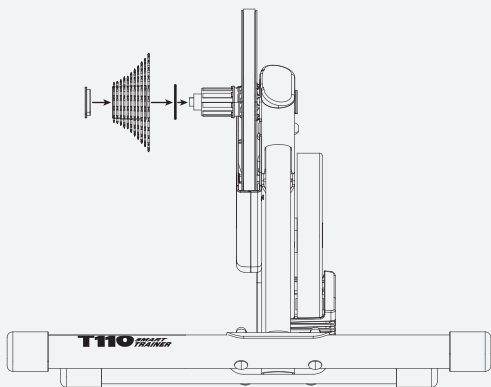
QUICK START GUIDE



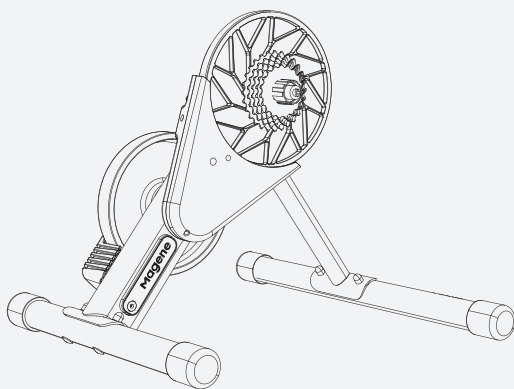
RIDE ON
POWER UP
REACH BEYOND



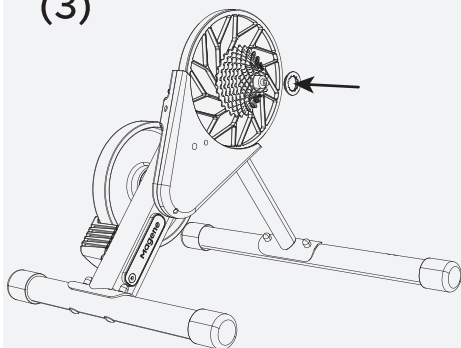
(1)



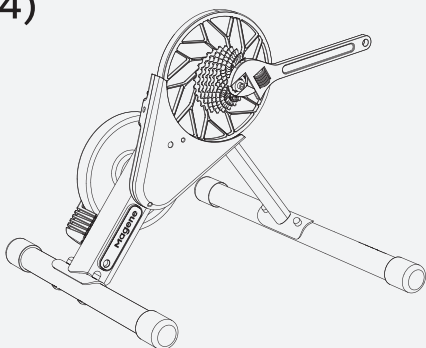
(2)



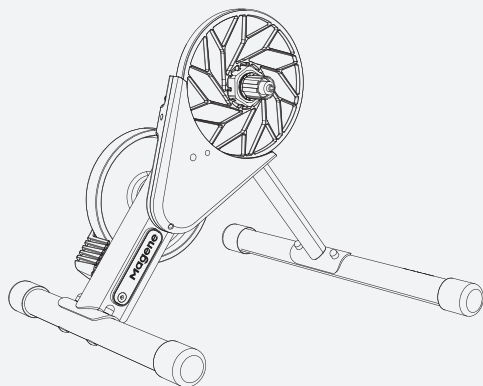
(3)



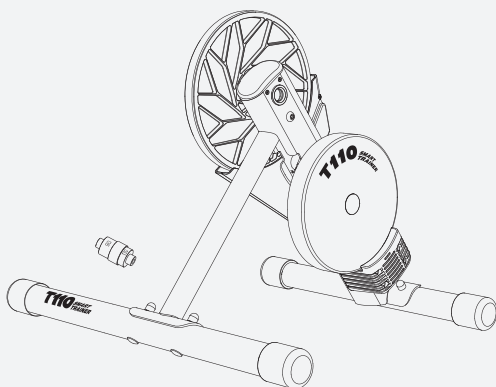
(4)



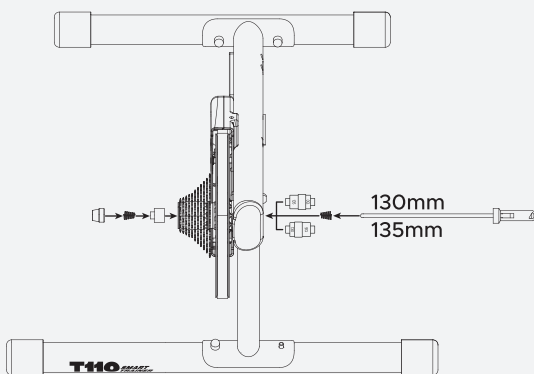
(1)



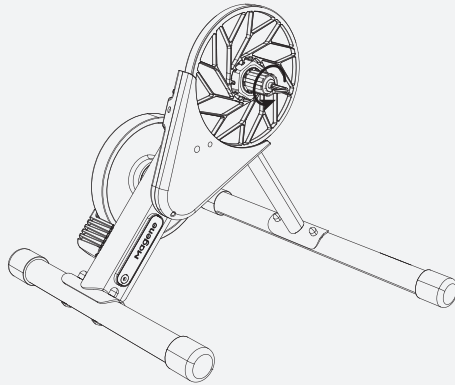
(2)



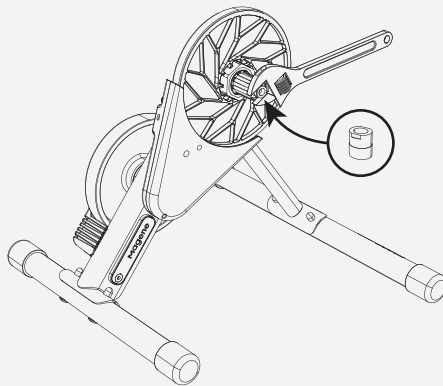
(3)



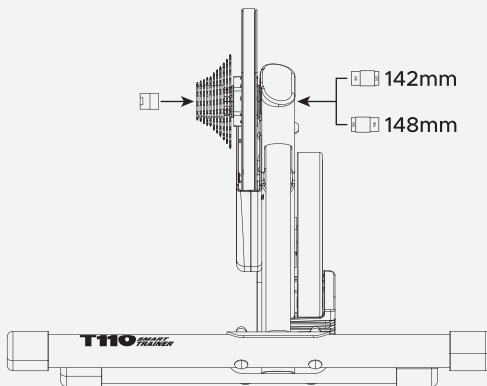
(1)



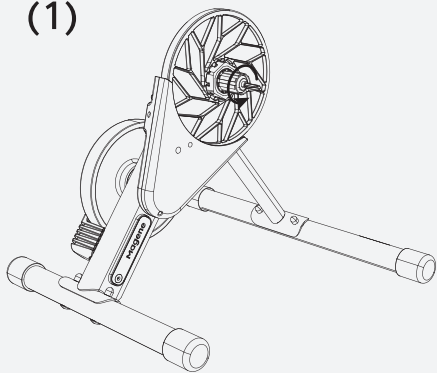
(2)



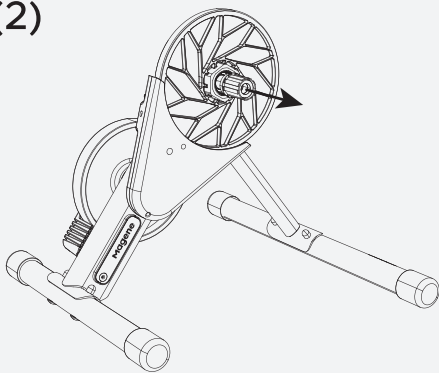
(3)



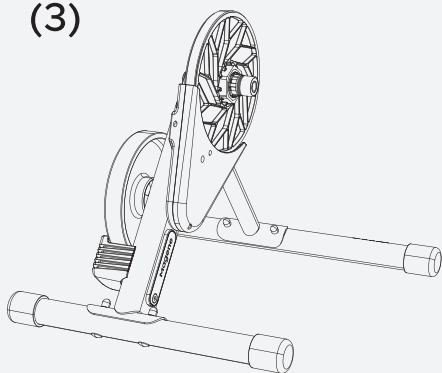
(1)



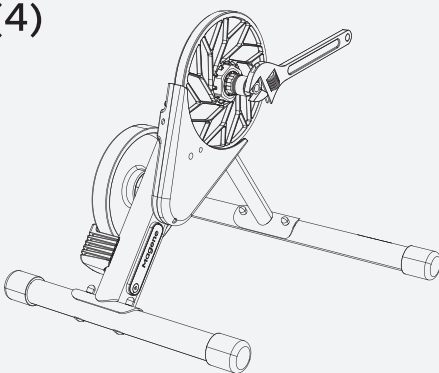
(2)



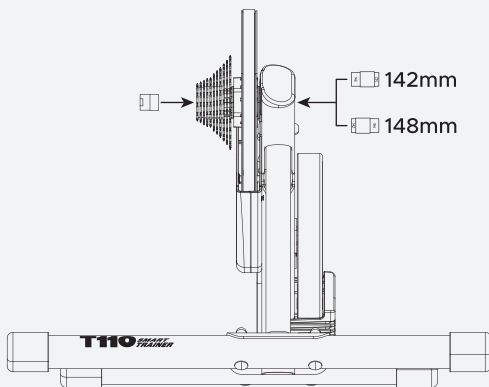
(3)

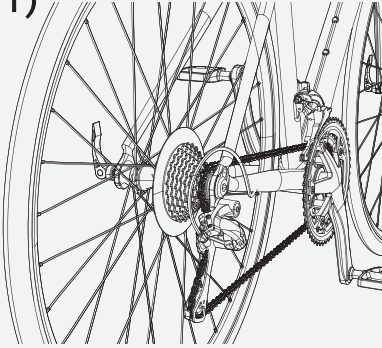
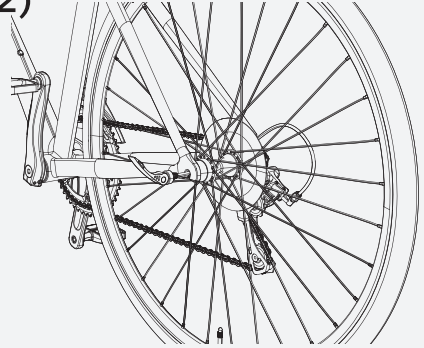
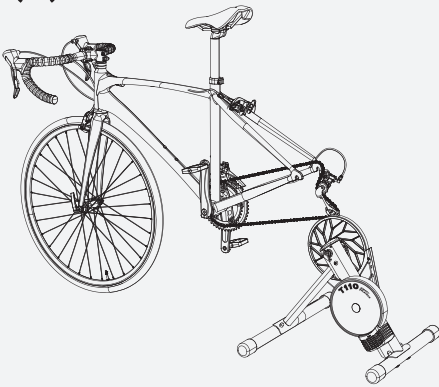
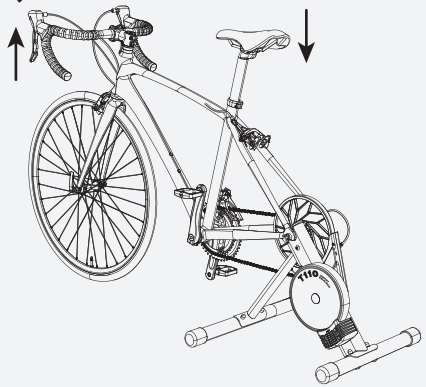
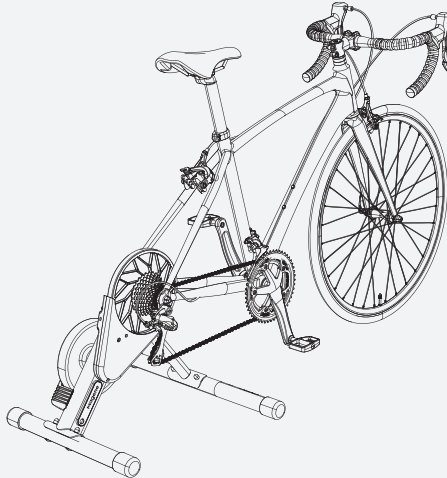


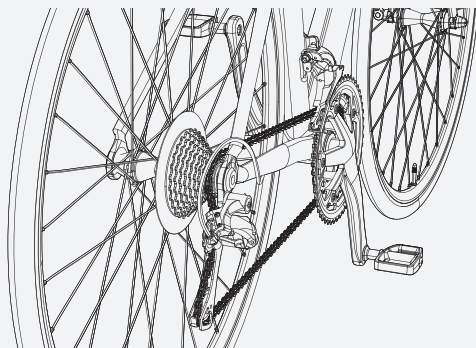
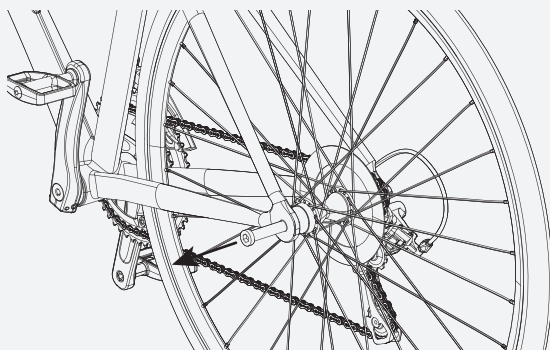
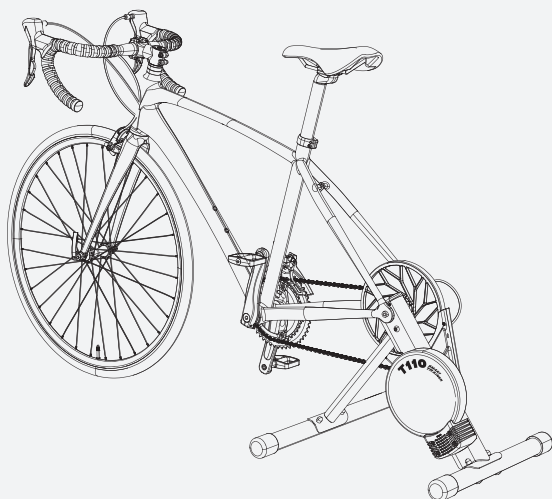
(4)

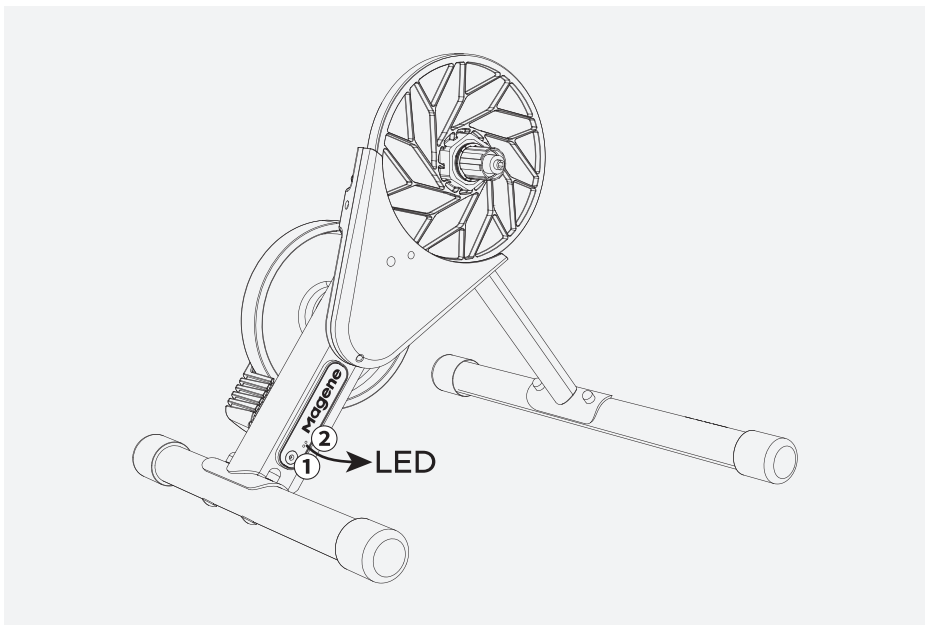
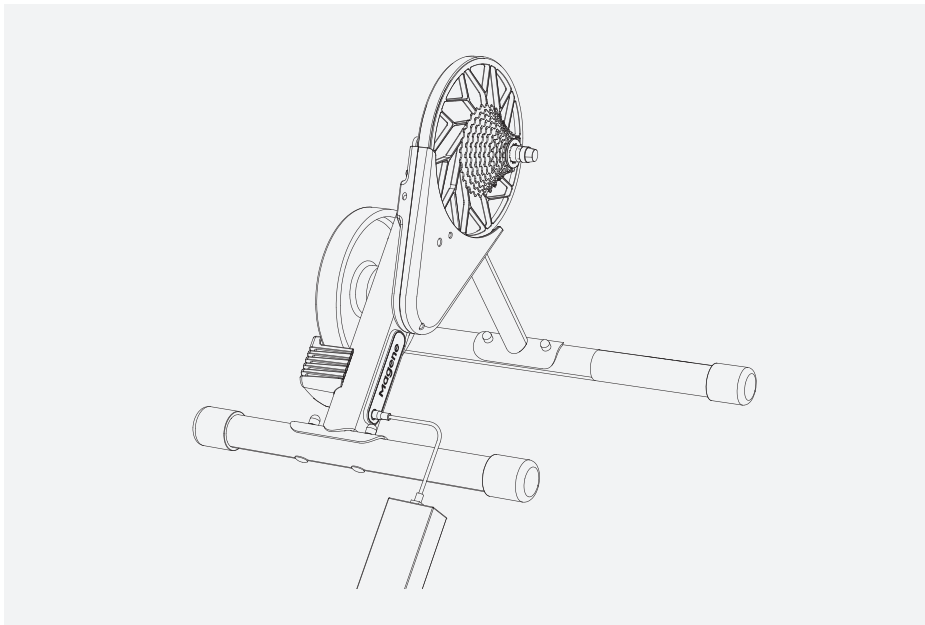


(5)



(1)**(2)****(3)****(4)****(5)**

(1)**(2)****(3)**



QUICK START GUIDE AND INSTRUCTIONS

Thank you for purchasing the T110 Smart Trainer.
Please read the instructions carefully before using it.

If you have any questions, please contact us immediately:

- Email: support@magene.com
- Website: www.magene.com

UNPACKING P1

After you take out the trainer and accessories from the package, please make sure to keep the original product packaging for future transportation or storage. When encountering after-sales problems, please be sure to use the original packaging for mailing; the manufacturer will not be responsible for any damage caused by mailing in non-original packaging. If the original packaging is lost, please contact your local distributor or after-sales service personnel.

- (1) T110 smart trainer
- (2) AC power adapter
- (3) Hex tool
- (4) Quick release skewer
- (5) Freehub body spacer
- (6) Adapter A - quick release end cap (installed already)
- (7) Adapter B - for 130mm and 135mm quick release
- (8) Adapter C - thru-axle cap
- (9) Adapter D - 12*142/12*148 thru-axle open gear converter

Caution:

1. The following diagrams of tools and accessories are printed only to illustrate the use of the product, and the configuration of the real product parts is subject to the packing list.
2. Thru-axle bicycle frame must use Thru-axle conversion kit.

INSTALL THE TRAINER P2

1. Remove the main trainer unit from the box, and expand the trainer.
2. Take out the legs and insert them into the bolts (note that the square hole of the arm is at the bottom and the round hole is at the top).
3. Install the legs on the trainer, with white leg on the white arm, and then tighten the nuts and install the protective caps.
4. When installing, pay attention to the left and right direction of the legs, the long side should be placed near the drive side.

INSTALLING CASSETTE P3

Before installation, please prepare cassette, wrench and sleeve.

1. If you are using Shimano 10-speed or lower speed cassette, please install 1.85mm freehub spacer first.
2. Put the cassette onto the freehub body in order from big to small size accordingly, paying attention to the alignment of the freehub spline.
3. Install the cassette cover and tighten it roughly by hand.
4. Wrap the cassette with the chain, then insert the cassette sleeve and use the cassette wrench to tighten the cassette again.

INSTALLING QUICK RELEASE ADAPTER P4

1. The quick release cap on the freehub side has been installed by the manufacturer.
2. Choose the quick release according to the specification of your bicycle, and insert the quick release adapter into the non-drive side of the trainer.
3. Insert the quick release skewer into the non-drive side of the trainer; insert the conical springs at the each end of the quick release skewer separately, with the tips facing inward, and then screw on the nut.

INSTALLING THRU-AXLE ADAPTER P5

1. Use a 5mm allen wrench to unscrew the quick release cap on the freehub side counterclockwise.
2. Use a wrench to tighten the thru-axle cap.
3. Choose the thru-axle according to the specification of your bicycle, and insert the thru-axle adapter into the non-drive side of the trainer.

INSTALLING XDR FREEHUB P6

SRAM XDR freehub, thru-axle end caps need to be purchased separately.

1. Use a 5mm allen wrench to counterclockwise unscrew the quick release cap on the freehub.
2. Pull out the original freehub.
3. Insert your XDR freehub into the trainer, turn it counterclockwise and keep pressing the freehub and detent of the freehub until the freehub is fully installed in place.
4. Screw on the thru-axle cap and use a wrench to lock it in place.
5. Choose the thru-axle according to the specification of your bicycle, and insert the of the thru-axle adapter into the non-drive side of the trainer.

ATTACHING YOUR BICYCLE (QUICK RELEASE) P7

1. Shift your bicycle chain into the smallest sprocket.
2. Release the rear brake, open the quick release skewer, lift the bicycle frame, and then remove your rear wheel.
3. Push the quick release skewer on the trainer to the "open" mode, seat the bike on the trainer, and then align the chain with the smallest sprocket on the trainer.
4. Lift the front wheel up while pressing down on the saddle to ensure the bicycle is fully seated on the trainer.
5. Tighten the quick release nuts while turning the quick release skewer on and off frequently until resistance is felt.
6. Lock the quick release skewer and wiggle the bicycle frame to ensure that the frame does not fell off from the trainer.

ATTACHING YOUR BICYCLE (THRU-AXLE) P8

1. Shift your bicycle chain into the smallest sprocket.
2. Release the rear brake, remove the thru-axle, lift the bicycle frame, and then remove your rear wheel.
3. Align the rear axle with the trainer's axle hole in the center, insert the thru-axle, and then aligning the chain with the smallest sprocket.
4. Lock the thru-axle and wiggle the bicycle frame to ensure that the frame does not fell off from the trainer.

CAUTION!

- Failure to properly tighten the quick release skewer or thru-axle may result in property damage or personal injury.
- If you are unsure of proper assembly, please consult your local bike shop or contact us for assistance.
- Failure to properly assemble the quick release skewer or thru-axle, please do not ride the trainer.
- Do NOT ride the trainer until the quick release skewer or thru-axle is tightened, thus avoiding damages.
- Do NOT adjust the quick release skewer or thru-axle while someone is sitting or standing on the bike.

ACTIVATING AND PERFORMING A SPIN DOWN

CAUTION! The new product must be activated before first use.

1. First, plug the trainer into the power supply.
2. Download and install the "Magene Utility" app on your mobile phone.
3. Then turn the pedal to make the trainer rotate and observe whether the indicator light is on.
4. Search and connect to the trainer. After connecting, you will be prompted to activate it. Click "Activate" to activate it successfully.

CAUTION! A spindown should performed for the new product before first use.

1. Open the "Magene Utility" app, search and connect to the trainer.
2. Ride with 150W power for 10 minutes to achieve the best efficiency of the drive chain.
3. Follow the prompts for a spindown.
4. The spindown should be repeated once every two weeks to ensure accurate power measurement.



CONNECTING TRAINER P9

Note! The hardware and software you use must support BLE 4.0 and above version. A PC without built-in Bluetooth may be used with a Bluetooth receiver (sold separately).

1. Power on the trainer and the indicator light on the housing will illuminate.
2. Download Onelap App and register your account.
3. Select the sports mode as "bike".
4. Select the corresponding trainer in the device list to connect.
5. Select your workout program and start riding.

MODES AND INDICATORS P10

The trainer has two indicators.

Led Indicator Description

System status indicator ①	Connection indicator ②
Power-on status: the red and blue indicator flash twice alternatively	Not connected: the blue indicator flashes
Standby status: the blue indicator flashes	
Riding status: the blue indicator is on	Connected: the blue indicator is on

PRODUCT SPECIFICATION

Model	P0102019A
Rated voltage/Current	DC 12V, 3A
Maximum simulated slope	6%
Max power	600W
Power accuracy	±5%
Rotational inertia	1.64kg*m ²
Noise level	<56dB @1.5m&30km/h
Wireless protocol	Bluetooth
Size (unfolded)	600*500*450mm
Size (folded)	600*250*510mm
Overall weight	9.7kg
Compatible cassette	Shimano, SRAM 8-11 speed cassette Shimano 12-speed cassette SRAM XDR 12-speed cassette
Compatible bicycle frame	130/135mm Quick Release 12*142/12*148mm Thru Axle
Compatible wheels	26"-29"MTB 700C RD