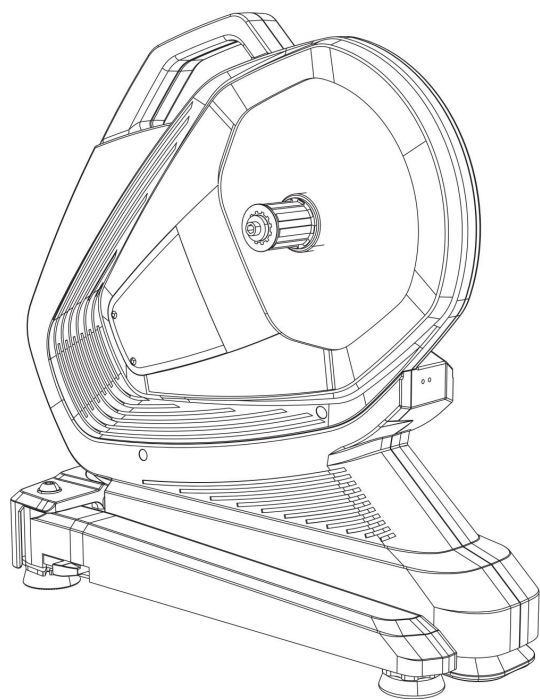


MAGENE T300 QUICK START GUIDE



● QUICK START GUIDE

THANK YOU FOR YOUR PURCHASE OF
“MAGENE T300” SMART TRAINER
PLEASE READ THE GUIDE BEFORE USE.
TO KNOW MORE/GET OPERATED VIDEO/
COMPATIBLE APPLICATION/COMMON PROBLEM
PLEASE VISIT : www.magenefitness.com
ANY QUESTIONS PLEASE CONTACT
EMAIL : support@magenefitness.com



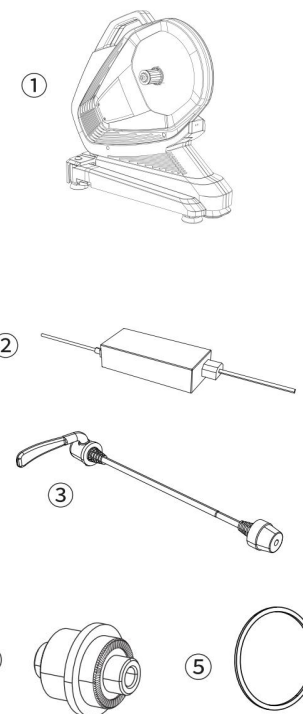
INSTALL VIDEO

● CAUTION!

- PLEASE USE SMART TRAINER IN FLAT FLOOR
- THE TRAINER WILL GET HOT FOR LONG TIME USE
- DO NOT INSTALL OR DISASSEMBLE THE BICYCLE WHEN MAGENE T300 DID NOT STOP COMPLETELY
- BE SURE FOR STAND RIDING
- USER WEIGHT MORE THAN 80 KGS, PLEASE DO NOT SHAKE WHEN STAND RIDING

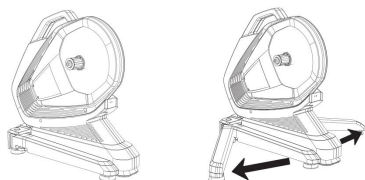
● INSIDE BOX

- ① MAGENE T300 SMART TRAINER
- ② AC POWER ADAPTER
- ③ QUICK RELEASE
4. QR ADAPTER
5. SPROCKET SPACER

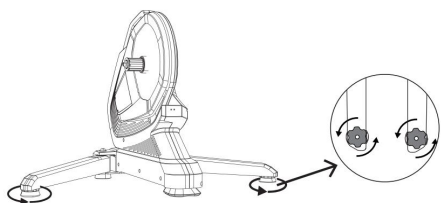


● INSTALLATION

1. PUT MAGENE T300 ON STABLE FLOOR, BE SURE THERE IS ENOUGH SPACE TO EXPANSION SMART TRAINER
2. ZIP OUTRIGGER, SPREAD OUT TO STUCK POSITION

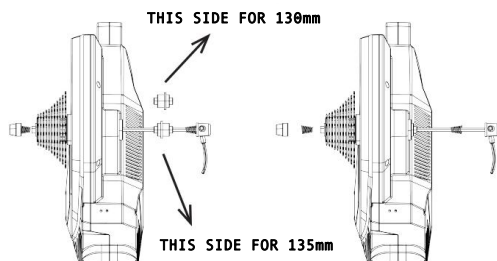


3. ADJUST OUTRIGGER, LET IT FLAT WITH FLOOR, LOCK ALUMINUM NUT



T300 LINK TO ONE STANDARD 220V POWER SOCKET, CONFIRM THE INDICATOR LIGHT IS ON

5. USER WHO USE 8/9/10PCS SPROCKET, PLEASE INSTALL SPACER FIRST



● INSTALL BICYCLE

1. SHIFTED TO INNERMOST FOR CRANKSET AND SPROCKET. THEN REMOVE REAR WHEEL
2. INSTALL BICYCLE TO MAGENE T300, PUT QUICK RELEASE ARM TO OPEN POSITION, CHAIN ALIGNED SMALL SPROCKET, REAR END FIX IN TRAINER'S AXLE
3. LOCK ADJUST NUT, LOCK QUICK RELEASE ARM

● LINK TO MAGENE T300

WHEN MAGENE T300 POWER ON, THE INDICATOR LIGHT IS ON, THEN YOU CAN CONNECT T300 WITH YOUR DEVICE OR RIDING SOFTWARE VIA ANT+ OR BLUETOOTH

● ACTIVATION

- NOTICE! NEW PRODUCT MUST BE ACTIVATED BEFORE USING
- PLEASE DOWNLOAD MAGENE UTILITY APPLICATION IN APPLE STORE / GOOGLE PLAY TO ACTIVATE YOUR SMART TRAINER AND FOLLOW THE INSTRUCTION TO DO SPINDOWN FOR ACCURATE DATA



IOS VERSION



ANDROID VERSION

● STATUS AND INDICATOR LIGHT

① SYSTEM STATUS LIGHT

*POWER ON STATE : RED LIGHT AND BLUE LIGHT FLASH TWICE

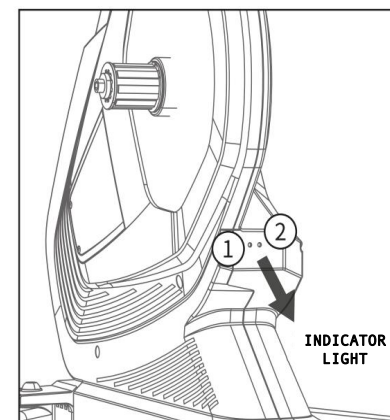
*STANDBY MODE : BLUE LIGHT STAY ON

*RIDING MODE : BLUE LIGHT FLASH

② BLUETOOTH INDICATOR LIGHT

*BLUETOOTH CONNECTED : BLUE LIGHT STAY ON

*BLUETOOTH NOT CONNECT : BLUE LIGHT FLASH



● WARRANTY

PRODUCT WARRANTY PERIOD : 1 YEAR FROM ACTIVATION DATE

